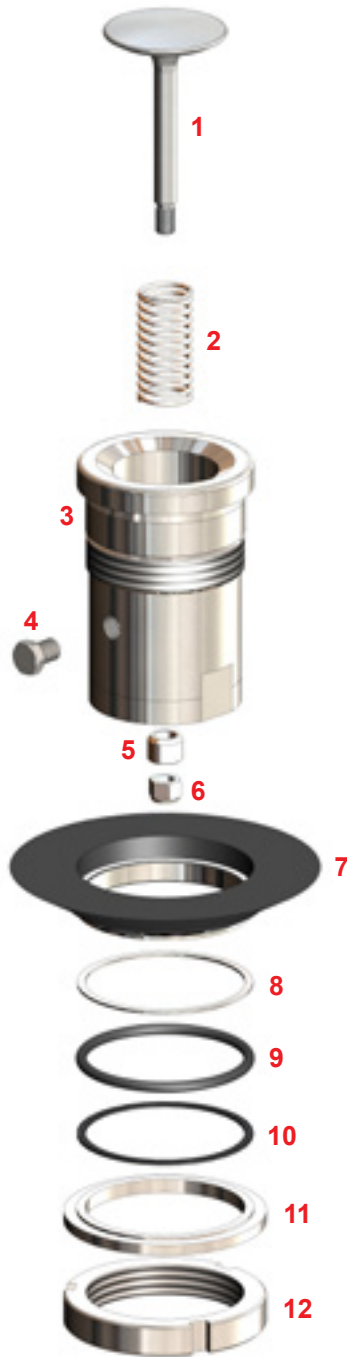


# FLUID PORTS

## BLADDER ACCUMULATORS - PARTS



3000 PSI ASSEMBLIES				
PART	DESCRIPTION	1 QUART	1-1.5 GALLON	2.5-15 GALLON
	Fluid port assembly (1-12)	AI-1QT-400	AI-1-400	AI-S3-400
	Plug and poppet assembly (1-6)	AI-1QT-401	AI-1-401	AI-S3-401
1	Poppet	AI-1QT-404	AI-1-404	AI-S-404
2	Spring	AI-1QT-409-SS	AI-1-409-SS	AI-S-409-SS
3	Fluid port	AI-1QT-402	AI-1-402	AI-S3-402
4	Bleed plug	-	-	-
	NPT	-	AI-S-418	AI-S-418
	SAE	-	AI-S-419	AI-S-419
5	Piston	AI-1QT-405-SS	AI-1-405-SS	AI-S-405-SS
6	Stop nut	AI-1QT-408	AI-1-408	AI-S-408-SS
7	Anti-extrusion ring	AI-1QT-407	AI-1-407	AI-S-407
8	Metal backup ring	AI-1QT-412	AI-1-412	AI-S-412
9	O-ring	AI-1QT-410	AI-1-410	AI-S-410
10	Rubber backup ring	-	AI-1-411	AI-S-411
11	Spacer	AI-1QT-406	AI-1-406	AI-S3-406
12	Locknut	AI-1QT-403	AI-1-403	AI-S-403

5000 AND 6000 PSI ASSEMBLIES				
PART	DESCRIPTION	1 QUART 5000 PSI	1 GALLON 6000 PSI	2.5-15 GALLON 6000 PSI
	Fluid port assembly (1-12)	AI-1QT-400	AI-1-6-400	AI-S6-400
	Plug and poppet assembly (1-6)	AI-1QT-401	AI-1-6-401	AI-S6-401
1	Poppet	AI-1QT-404	AI-1-404	AI-S-404
2	Spring	AI-1QT-409-SS	AI-1-409-SS	AI-S6-409-SS
3	Fluid port	AI-1QT-402	AI-1-6-402	AI-S6-402
5	Piston	AI-1QT-405-SS	AI-1-405-SS	AI-S-405-SS
6	Stop nut	AI-1QT-408	AI-1-408	AI-S-408-SS
7	Anti-extrusion ring	AI-1QT-407	AI-1-407	AI-S-407
8	Metal backup ring	AI-1QT-412	AI-1-412	AI-S-412
9	O-ring	AI-1QT-410	AI-1-410	AI-S-410
10	Rubber backup ring	-	AI-1-411	AI-S-411
11	Spacer	AI-1QT-406	AI-1-6-406	AI-S6-406
12	Locknut	AI-1QT-403	AI-1-403	AI-S-403

Our fluid ports are available in carbon steel, nickel-plated carbon steel and stainless steel. Replacement fluid port assemblies for 1 Pint 3000 PSI and 2.5-15 Gallon 10000 PSI accumulators are also available.